



BZE6-2RQ2



Enclosed Switches Series E6: Top Roller Arm Actuator, Adjustable with Steel Roller; 1NC 1NO SPDT Snap Action; 0.5 in - 14NPT conduit

Actual product appearance may vary.

Features

- Side or flange mount
- Momentary or maintained contact
- Grounding screw
- High capacity (22 amp) available
- Temperature range -32 °C to +71 °C [-25 °F to +160 °F]
- Zinc Die-Cast housing NEMA 1
- UL Recognized, file #E12252
- CSA Certified, file #LR41372
- NEMA 1 /IP40
- Pre-leaded or connector termination options

Potential Applications

- Packaging equipment
- Special machinery
- Textile machinery
- Conveyors
- Construction machinery and equipment
- Printing trades machinery
- Overhead cranes and hoists

Description

MICRO SWITCH™ E6 (side mount) and V6 (flange mount) switches are offered with or without actuator seal boots. Both have a combination insulator/seal cemented inside the bottom enclosure. Lead washers are used to seal the mounting holes on side mount switches. All side mount switches are installed with #6 screws, except the BZE6-2RN7 (#8 screws). Removal of the bottom enclosure exposes the terminals for easy wiring.

Product Specifications	
Availability	Global
Operating Force (O.F.)	2,78 N to 5,00 N [10 oz to 18 oz]
Release Force (R.F.)	1,67 N min. [6 oz min.]
Pretravel (P.T.)	4,78 mm max. [0.188 in max.]
Overtravel (O.T.)	5,56 mm min. [0.219 in min.]
Differential Travel (D.T.)	0,15 mm max. [0.006 in max.]
Product Type	Enclosed Switches
Actuator	Top Roller Arm
Lever Style	Roller - Adjustable
Circuitry	1NC 1NO SPDT Snap Action
Ampere Rating	15 A Ind./2 A Ind./0.5 A Res./0.25 A Res.
Supply Voltage	125 Vac, 250 Vac, 480 Vac/600 Vac/125 Vdc/250 Vdc
Housing Material	Zinc Die-Cast
Termination Type	0.5 in - 14NPT conduit
Housing Type	Split Housing, Side Mount
Series Name	E6/V6
Sealing	NEMA 1 /IP40
Approvals	UL recognized, CSA certified
CSA File #	LR41372
UL File #	E12252
Operating Temperature Range	-32 °C to 71 °C [-25 °F to 160 °F]
Comment	Without seal boot on plunger; Lever field adjustable 360° horizontally (in 45° increments) and 180° vertically
UNSPSC Code	302119
UNSPSC Commodity	302119 Switches and controls and relays
Sealed	Industrial

MICRO SWITCH
a Honeywell Division

SWITCH - ENCLOSED

CATALOG LISTING
BZE6-2RQ2

FED. MFG. CODE 91929

CATALOG LISTING
BZE6-2RQ2

ISSUE
11

REVISIONS
A C081513B
JAK
4 MAR 97
B 0016894
KRB
10 NOV 05
C 0033014
BS
29AUG07

REPLACES

PAGE 1 OF 1

RELEASE NO.

29AUG07

PSR

CHECK

14 SEP 77

ROB

CHECK

14 SEP 77

KPK

CHECK

14 SEP 77

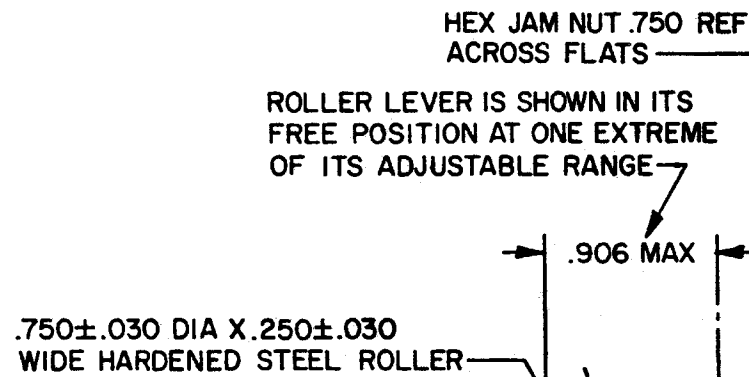
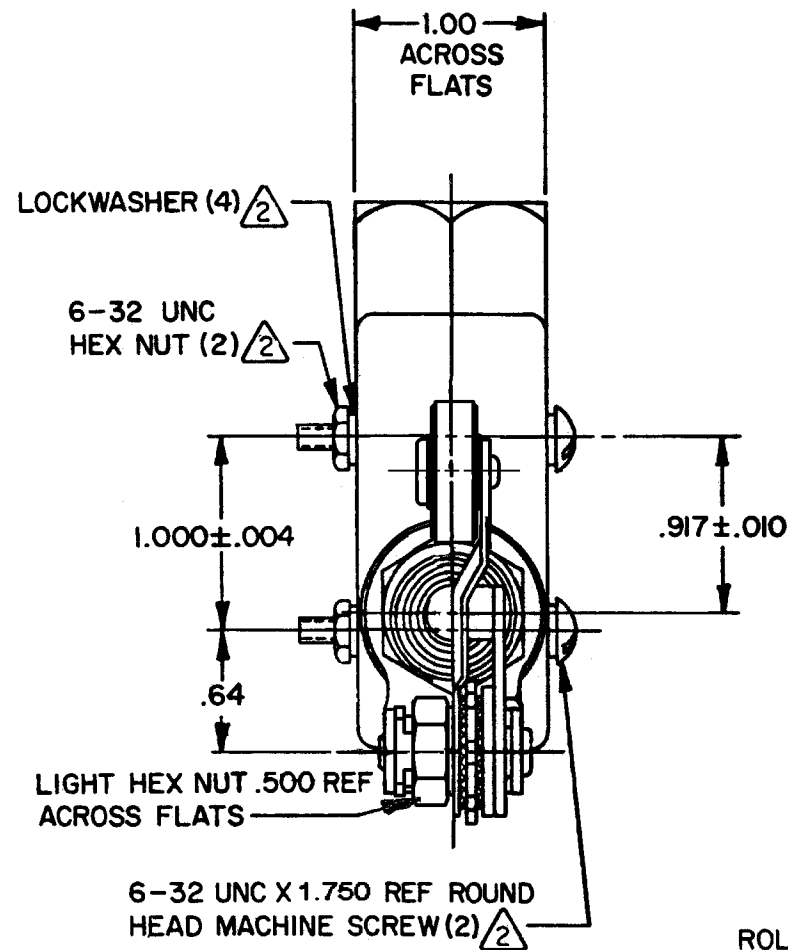
KPK

CHECK

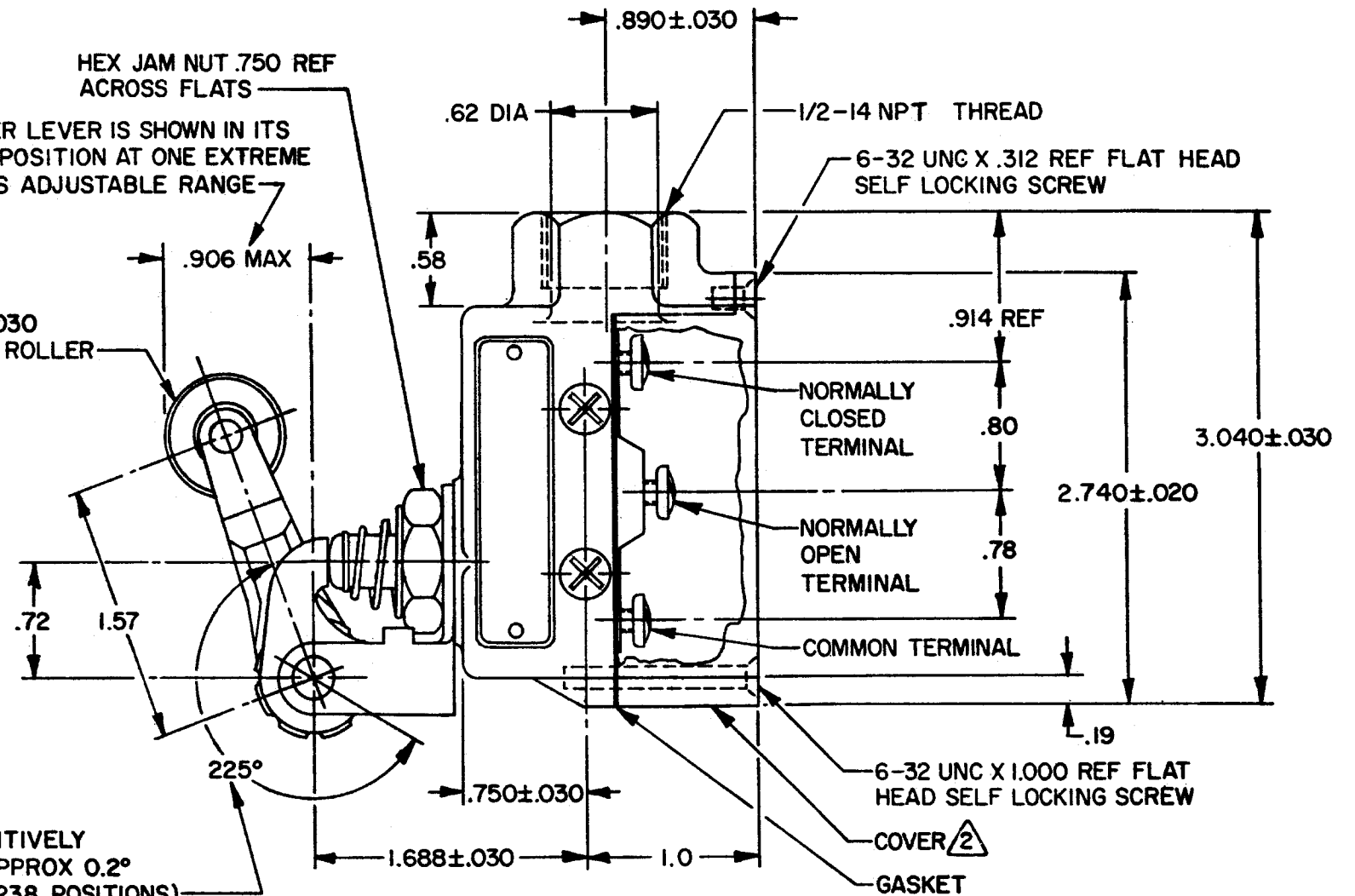
12 SEP 77

SLB

DRAWN



ROLLER LEVER MAY BE POSITIVELY LOCKED AT INTERVALS OF APPROX 0.2° WITHIN A RANGE OF 225° (1238 POSITIONS)

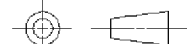


NOTES

- 1 - 6-32 UNC X .219 REF BINDING HEAD TERMINAL SCREW AND CUPWASHER (3)
- ② FURNISHED UNASSEMBLED
- 3 - ROLLER LEVER BRACKET ASSEMBLY MAY BE SET AT ANY ONE OF EIGHT POSITIONS SPACED 45° APART
- 4 - SEAL RATING: NEMA1
IP40

THIS DRAWING COVERS A PROPRIETARY ITEM AND IS THE PROPERTY OF MICRO SWITCH, A DIVISION OF HONEYWELL. THIS DRAWING IS NOT TO BE COPIED OR USED WITHOUT THE APPROVAL OF MICRO SWITCH

THIRD ANGLE PROJECTION



CHARACTERISTICS

ELECTRICAL DATA

SCALE FULL

OPERATING FORCE - - - - - 10 - 18 OZ

CONTACT ARRANGEMENT
S P D T

DO NOT SCALE PRINT

RELEASE FORCE - - - - - 6 OZ MIN

L74 15A 125, 250 OR 480 VAC

UNLESS OTHERWISE SPECIFIED TOLERANCES ARE

PRETRAVEL - - - - - .188 MAX

2A 600 VAC

ONE PLACE (.0) ± .030

DIFFERENTIAL TRAVEL - - - .006 MAX

1/8HP 125 VAC, 1/4HP 250 VAC

TWO PLACE (.00) ± .015

OVERTRAVEL - - - - - .219 MIN

1/2A 125 VDC, 1/4A 250 VDC

THREE PLACE (.000) ± .005

BASIC SWITCH REPLACEMENT - - - BZ-2RQ68

FIG. 74

ANGLES ±

1.5A, 240 Vac

WEIGHT .70 LB

